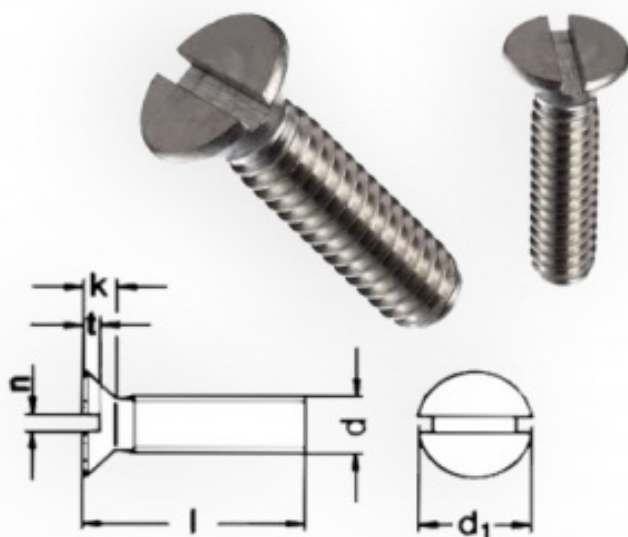


Stainless Steel CSK screws DIN 963 Flat head screws Countersunk head screws

Stainless Steel CSK Screws DIN 963 Flat Head Screws Countersunk head screws



Stainless Steel CSK screws DIN 963 Slotted Stainless Steel Countersunk head screw Flat Head Screws

Diameter of Stainless Steel Screws	M2	M2.5	M3	M4	M5	M6
t min.	0.4	0.5	0.6	0.8	1	1.2
n	0.5	0.6	0.8	1	1.2	1.6
k max.	1.2	1.5	1.65	2.2	2.5	3
d ₁ max.	3.8	4.7	5.6	7.5	9.2	11

- ➔ **Material Grade:** Stainless Steel 304 316 316L A2 A4 for SS screws slotted screws
- ➔ **Standard Stainless Steel Screws:** DIN 963 , BS 450
- ➔ **Sizes:** M3 M4 M5 M6 M8 m10 M1 1/8" 3/16" 1/4" 5/16" 3/8" 1/2"
- ➔ **Threads:** ISO metric BSW BSF UNF UNS UNEF
- ➔ **Method of manufacturing:** Stainless Steel CSK Screws machine screws Countersunk head screws SS flat head screws are made by cold forming and cold heading

ADDEESS:

A1metallics INDIA Plot- 1255, GIDC Industrial

CONTACTS:

PHONE : 91-22-43449300/99

Estate, Shanker tekri Jamngar 361004 Gujarat
INDIA

FAX : 91-22-22834046

EMAIL : sales@a1metallics.com

[CONTACT US](#) | [BACK TO HOME PAGE](#)

KEYWORDS:

Stainless Steel screws, Stainless Steel CSk Screws, DIN 963 Stainless Steel screws, Slotted CSK Screws, .304 A2 Stainless Steel flat head screws, Stainless Steel flat head screws, SS slotted flat head screws, A4 316 Flat head screws Stainless Steel, Stainless Steel machine screws, Stainless Steel cold forged machine screws,